



EXPERIENCE THE EXCEPTIONAL

CYCL™

Cyclone Separator



Features

- 316 S/S standard construction (duplex option available)
- Large internal clearances
- Works from pump discharge

Benefits

- Hard wearing materials of construction guarantee long product life in abrasive industries
- Restricts the potential for clogging
- Does not require a water source for seal flush fluid

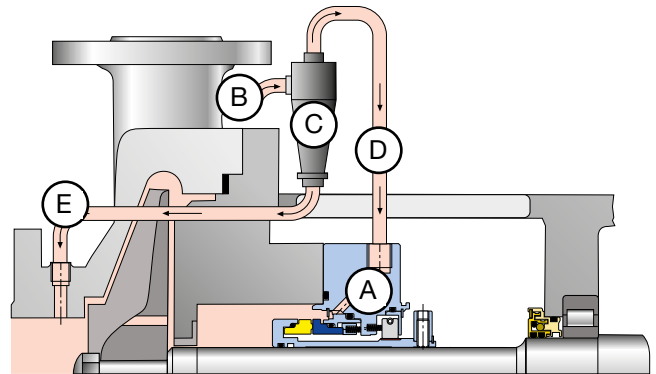


The CYCL™ (Cyclone Separator) is designed to separate heavy particles from the product liquid. The clean fluid can be used as flush liquid, improving conditions at the seal faces. The separated particles drain back into the sealed product. The benefit is a reliable and low cost sealing system for heavy product particle applications which does not require an independent flush supply.

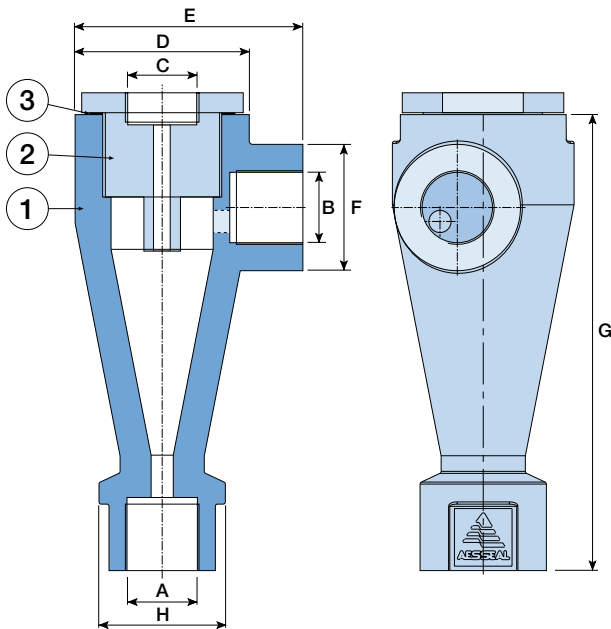


Key — Piping Diagram Schematic

Item	Description
A	Mechanical seal
B	Dirty product liquid pressure feed
C	Cyclone Separator
D	Clean product liquid (mechanical seal flush fluid)
E	Dirty product liquid return to pump suction



CYCL™ — Items and Sizing



CYCL™ — Parts List

Item	Description
1	Cyclone Separator body
2	Hex. reducing bush
3	Dowty washer

CYCL™ — Key interface dimensions, mm (inches)

Style	Ø A, B, C,	ØD	E	F	G	H
316 SS	1/2" NPT	48mm	66mm	35mm	118mm	35mm
Duplex		1.89"	2.60"	1.38"	4.65"	1.38"
316 SS	1" NPT	82mm	106.5mm	57mm	220mm	57mm
Duplex		3.20"	4.09"	2.20"	8.7"	2.20"

For further information and safe operating limits contact our technical specialists at the locations below.



Use double mechanical seals with hazardous products.

Always take safety precautions:

WARNING

- Guard your equipment
- Wear protective clothing

UK Sales & Technical advice:

AESSEAL plc
 Mill Close
 Bradmarsh Business Park
 Rotherham, S60 1BZ
 United Kingdom
 Tel: +44 (0) 1709 369966
 Fax: +44 (0) 1709 720788
 E-mail: seals@aes seal.com

Distributed by:

'Our purpose is to give our customers such exceptional service that they need never consider alternative sources of supply.'



USA Sales & Technical advice:

AESSEAL Inc.
 355 Dunavant Drive
 Rockford,
 TN. 37853
 USA
 Tel: +1 865 531 0192
 Fax: +1 865 531 0571
 E-mail: usa@aes seal.com

Important: Since the conditions and methods of use of this product are beyond our control, AESSEAL plc expressly disclaims any and all liability resulting or arising from any use of this product or reliance on any information contained in this document - AESSEAL plc standard conditions of sale apply. All sizes are subject to manufacturing tolerances. We reserve the right to modify specifications at any time. AESSEAL® is a Registered Trademark of AESSEAL plc, AESSEAL plc recognizes all trademarks and trademark names as the property of their owners.