



SOGEVAC SV 300 B

Single-stage, oil-sealed
Rotary Vane Vacuum Pumps



SOGEVAC B Rotary Vane Pumps

SV 300 B



Advantages:

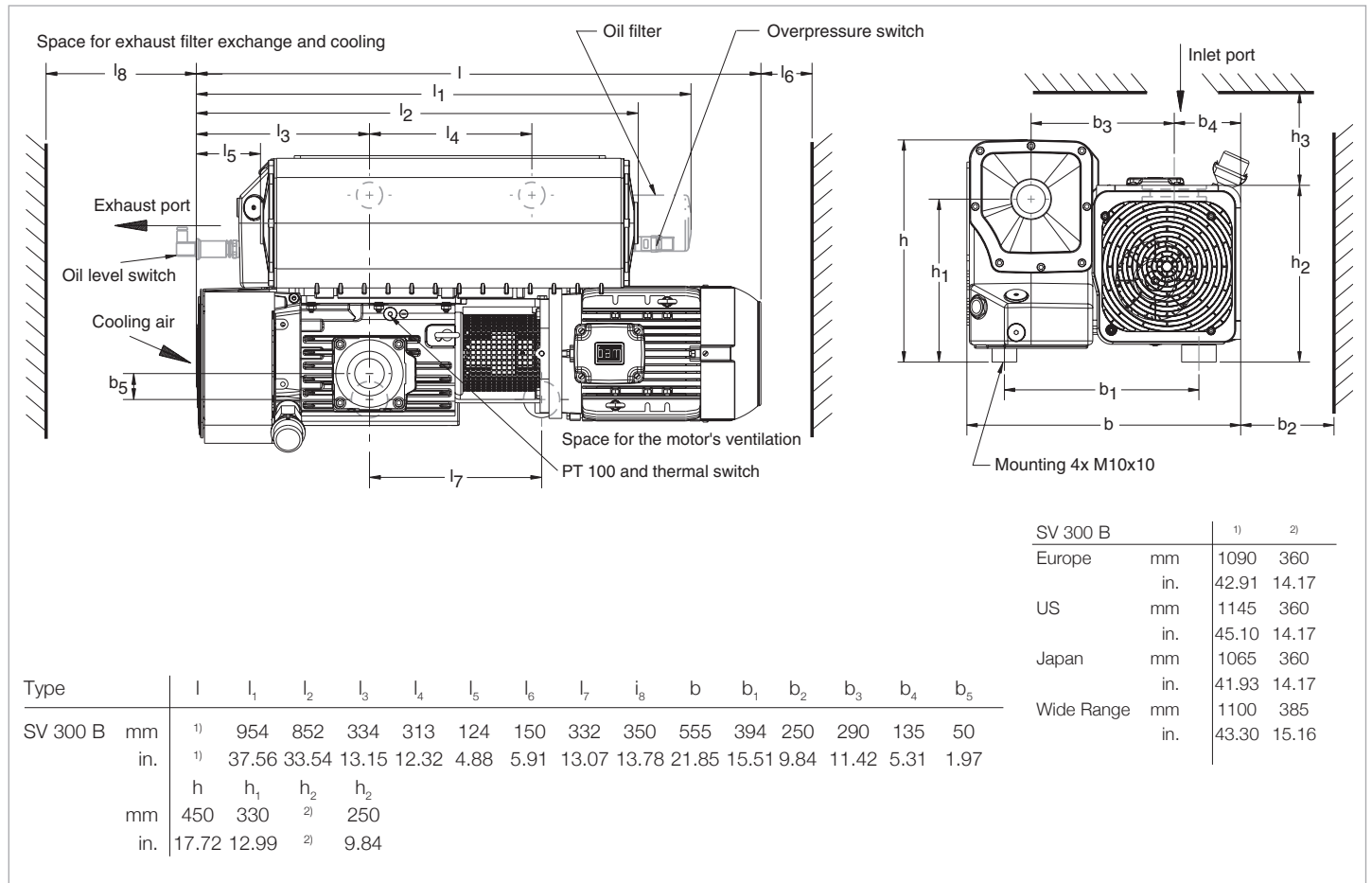
- Integrated exhaust filter
- Integrated oil recovery system and anti suckback valve
- Extremely low noise level
- High reliability
- Different gas ballast versions available
- Improved ultimate pressure stability
- Low operating temperature
- Low maintenance intervals
- Pot design vacuum generation
- Internal transfer lubrication

Ordering Information

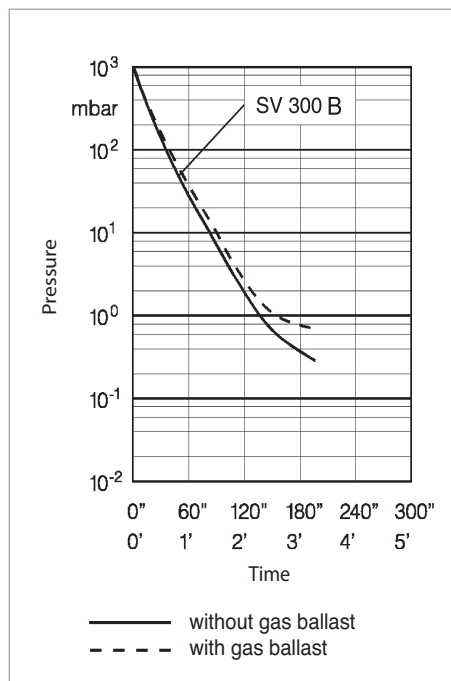
Cat. No.	Type / Power Supply
960 700	SV300 B with 3-phase motor - CEI with oil filter, 230/400 V, 50 Hz - 460V, 60 Hz
960 701	SV300 B with 3-phase motor - CEI with oil filter - with small gas ballast, 230/400 V, 50 Hz - 460 V, 60 Hz
960 702	SV300 B with 3-phase motor - CEI with oil filter - with standard gas ballast, 230/400 V, 50 Hz - 460 V, 60Hz
960 703	SV300 B with 3-phase motor - CEI with oil filter - with big gas ballast, 230/400 V, 50 Hz - 460 V, 60 Hz
960 706	SV300 B with 3-phase motor - NEMA with oil filter - with small gas ballast 208 V +/-10%, 230/460 V +/-10%, 60 Hz - 400 V +/-10% , 50 Hz
960 707	SV300 B with 3-phase motor - NEMA with oil filter - with standard gas ballast 208 V +/-10%, 230/460 V +/-10%, 60 Hz - 400 V +/-10% , 50 Hz
960 708	SV300 B with 3-phase motor - NEMA with oil filter - with big gas ballast 208 V +/-10%, 230/460 V +/-10%, 60 Hz - 400 V +/-10% , 50 Hz
960 711V	SV300 B with 3-phase motor - WIDE RANGE with oil filter - with small gas ballast 200 V (+10%/-15%) 220/380 V, 230/400 V 240/415 V, 50 Hz 200 V (+10%/-15%) 230/380 V, 230/400 V 460 V, 60 Hz
960 712	SV300 B with 3-phase motor - WIDE RANGE with oil filter - with standard gas ballast 200 V (+10%/-15%) 220/380 V, 230/400 V 240/415 V, 50 Hz 200 V (+10%/-15%) 230/380 V, 230/400 V 460 V, 60 Hz
960 713V	SV300 B with 3-phase motor - WIDE RANGE with oil filter - with big gas ballast 200 V (+10%/-15%) 220/380 V 230/400 V 240/415 V, 50 Hz 200 V (+10%/-15%) 230/380 V 230/400 V 460 V, 60 Hz

SOGEVAC B Rotary Vane Pumps

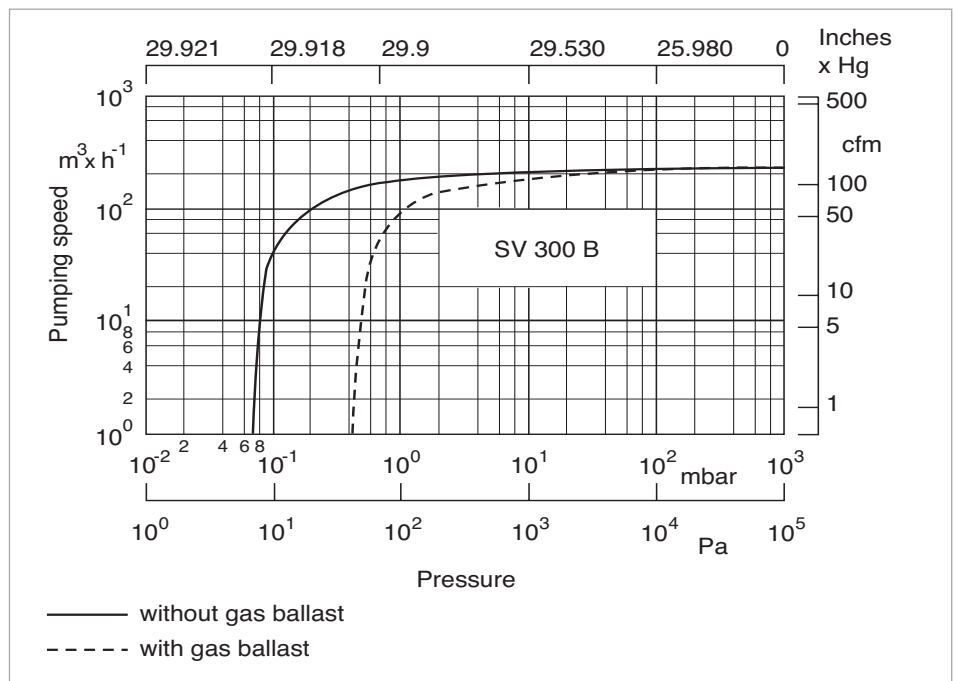
SV 300 B



Dimensional drawing for the SOGEVAC SV 300 B, European version



Pump-down characteristics of a 1000 l vessel at 50 Hz



Pumping speed characteristics of the SOGEVAC SV 300 B at 50 Hz

Technical Data

SOGEVAC		SV 300 B	
		50 Hz	60 Hz
Nominal pumping speed	m ³ x h ⁻¹	280	340
Pumping speed (according to PNEUROP)	m ³ x h ⁻¹	240	290
Ultimate partial pressure without gas ballast	mbar	≤ 8 · 10 ⁻²	
Ultimate total pressure with standard gas ballast	mbar	≤ 0.7	
Water vapor tolerance with standard gas ballast, max.	mbar	6.0	8.0
Motor power	kW	5.5	6.3
Rated rotational speed	min ⁻¹	1450	1750
Noise level	dB (A)	70	74
Protection class		IP-55 F	
Leak rate	mbar·l·s ⁻¹	≤ 1 · 10 ⁻³	
Oil filling capacity (min./max.)	l	8.5 / 11.5	
Oil type		LEYBONOL LVO 130 / LVO 210	
Net weight (with oil filling)	kg	220	225
Ambient temperature	°C	12 - 40	
Intake connection		G2"	
Exhaust connection		G2"	

For detailed information on our full scope of SOGEVAC pumps, please refer to our general catalog. Visit our webshop www.leyboldproducts.com.

Please contact us for more technical details on the entire SOGEVAC series.

Leybold

Leybold GmbH
 Bonner Str. 498 · D-50968 Köln
 T +49 (0) 221-347-0
 F +49 (0) 221-347-1250
 info@leybold.com

www.leybold.com

Leybold France S.A.S.
 Parc du Technopolis, Bâtiment Beta
 3, Avenue du Canada · F-91940 Les Ulis
 T +33 (0)1 69 82 48 00
 F +33 (0)1 69 07 57 38
 sales.ctb@leybold.com

