



Rotary Vane Vacuum Pump Series TRIVAC D 4T - D 30T

The economic solution



TRIVAC T Series

Dual-stage rotary vane vacuum pumps



TRIVAC T Product Range

Leybold has many years of experience in the development and manufacture of oil-sealed rotary vane vacuum pumps. These are used in all areas of vacuum engineering and are suited for many tasks in research and industrial applications.

Pumps from the TRIVAC T series are distinguished by their compact and sturdy construction and have been designed for a wide range of vacuum applications.

Features at a glance

- Habitual TRIVAC quality and reliability
- Excellent performance data
- Low oil back streaming
- High reliability
- Low maintenance and low wear due to an optimized temperature management
- Increased service life
- Reduced spare part requirements
- High system compatibility and adaptability due to the customer-oriented variations concept





Typical Applications

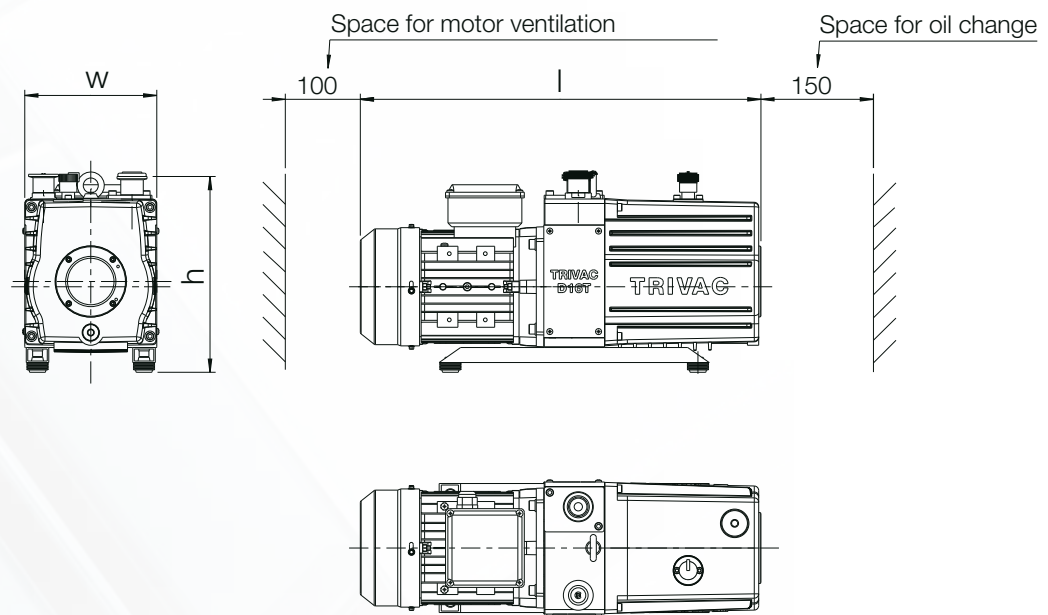
- Cooling and air-conditioning
- Freeze-drying systems
- Mechanical engineering
- Lamps and tubes manufacture
- Vacuum coating
- Automotive industry
- Research and development

TRIVAC T Series

Built to meet the highest demands



Dimensions

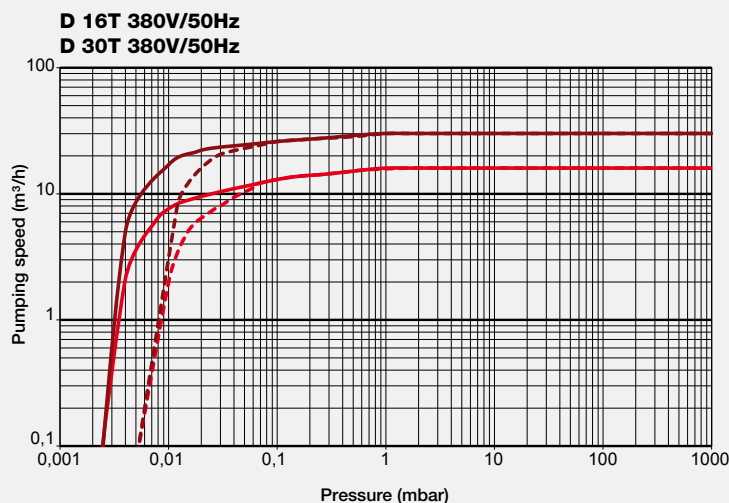
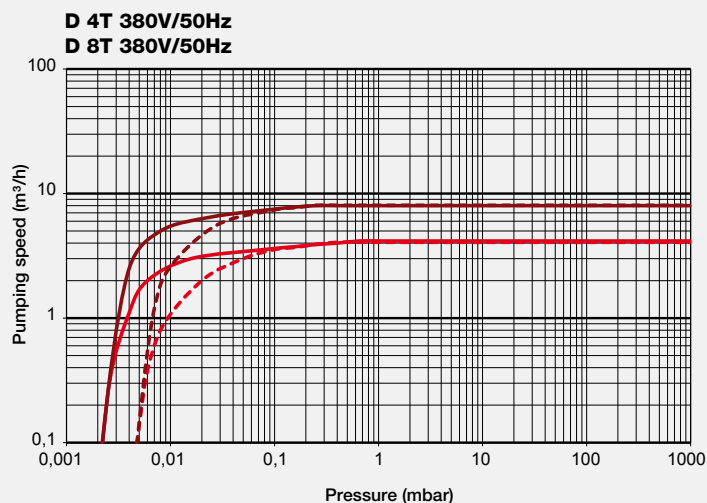


Pump model	P/N	Motor type	Length (l)	Width (w)	Height (h)	Weight (kg)
TRIVAC D 4T	31231TE	3-phase motor	480	157	240	23
TRIVAC D 4T	31236TE	single-phase motor	480	156	247	23
TRIVAC D 8T	31241TE	3-phase motor	500	157	240	24
TRIVAC D 8T	31246TE	single-phase motor	500	156	247	24
TRIVAC D 16T	31251TE	3-phase motor	535	185	265	34
TRIVAC D 16T	31256TE	single-phase motor	565	195	275	37
TRIVAC D 30T	31261TE	3-phase motor	620	185	265	37
TRIVAC D 30T	31266TE	single-phase motor	610	195	275	40

All dimensions in mm

Technical Data

Pumping Speed Characteristics



— D 4T total ultimate pressure without GB
 — D 8T total ultimate pressure without GB
 - - - D 4T total ultimate pressure with GB (pos.1)
 - - - D 8T total ultimate pressure with GB (pos.1)

— D 16T total ultimate pressure without GB
 — D 30T total ultimate pressure without GB
 - - - D 16T total ultimate pressure with GB (pos.1)
 - - - D 30T total ultimate pressure with GB (pos.1)

TRIVAC T		D 4T	D 8T	D 16T	D 30T
Nominal Pumping Speed (50 Hz) ¹⁾	m ³ h ⁻¹	5.3	9.2	17	31.4
Pumping Speed (50 Hz) ¹⁾	m ³ h ⁻¹	4.3	8.2	16.2	30.2
Ultimate total pressure without gas ballast ¹⁾	mbar	5 · 10 ⁻³	5 · 10 ⁻³	5 · 10 ⁻³	5 · 10 ⁻³
Ultimate total pressure with gas ballast (pos. 1) ¹⁾	mbar	8 · 10 ⁻³	8 · 10 ⁻³	8 · 10 ⁻³	8 · 10 ⁻³
Ultimate total pressure with gas ballast (pos. 2) ¹⁾	mbar	2 · 10 ⁻²	2 · 10 ⁻²	2 · 10 ⁻²	2 · 10 ⁻²
Water vapour tolerance ¹⁾	mbar	15	15	20	20
Water vapour capacity	g/h	55	95	230	400
Oil filling, min./max.	l	0.6 / 0.9	0.7 / 1	1.0 / 1.6	1.1 / 1.8
Noise level to DIN 45 635 without / with gas ballast	dB(A)	52 / 54	54 / 56	58 / 60	58 / 60
Ambient temperature	°C	12-45	12-45	12-45	12-45
Weight without oil (for 3 phase motor)	kg	23	24	34	37
Connections, intake and exhaust side	DN (mm)	16 KF	16 KF	25 KF	25 KF

¹⁾ To DIN 28400 and subsequent numbers

LEYBONOL LVO 100 oil	Part No.
1 litre	L100 01
5 litres	L100 05
20 litres	L100 20
200 litres	L100 99



Ordering Information

TRIVAC T		D 4T	D 8T	D 16T	D 30T
Single phase AC motor power					
100-115V / 210-230V 50 Hz	W	570	570	-	-
100-115V / 210-230V 60 Hz	W	660	660	-	-
218-242V 50/60Hz	W	-	-	750	750
Cat. No., delivery with LEYBONOL LVO 100 oil		31236TE	31246TE	31256TE	31266TE
3 phase motor power,					
Δ 200-220 V / Y380-440 V 50 Hz and					
Δ 200-220 V / Y380-480 V 60 Hz	W	250	370	-	-
Cat. No., delivery with LEYBONOL LVO 100 oil		31231TE	31241TE		
3 phase motor power,					
Δ 200-240V / Y380-440V 50Hz and					
Δ 200-260V / Y380-440V 60Hz	W	-	-	550	750
Cat.No., delivery with LEYBONOL LVO 100 oil				31251TE	31261TE

TRIVAC T Series



Leybold

Leybold GmbH
 Bonner Str. 498 · D-50968 Köln
 T +49 (0) 221-347-0
 F +49 (0) 221-347-1250
 info@leybold.com
www.leybold.com

Leybold (Tianjin) International Trade Co., Ltd.
 No. 8 Western Shuangchen Road
 Beichen Economic Development Area (BEDA)
 Tianjin 300400, PR China

T +86-400-038 8989 / 800-818 0033
 F +86-22-2697 4061
 info.tj@leybold.com

